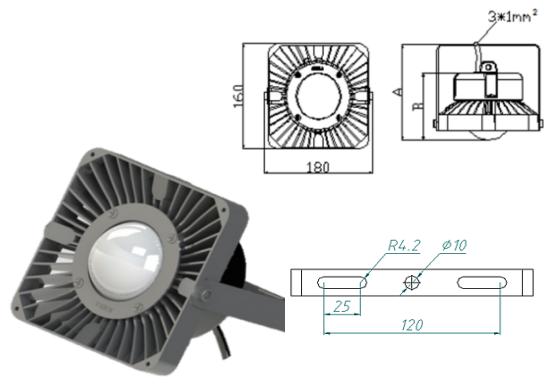


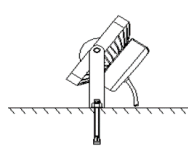
Features & Specifications:

1. Bridgelux LED Chip – COB
2. Meanwell Power Supply
3. Patented die cast design constructed with Ultra Thermal ADC 12 Aluminum results in outstanding heat dissipation
4. Different beam angles available using impact & corrosive resistant glass lens
5. IP65 Waterproof
6. Dimming opt: 1-10V or PWM
7. Horizontal Module Installation
8. Driver, Modules and Optics can be easily replaced
9. CE & RoHS Certification
10. 5 year limited warranty

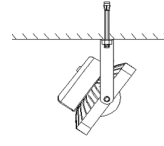


Application:

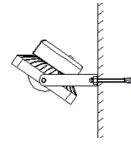
Industrial Parks, stadiums, building lighting



Socket Type



Ceiling Installation

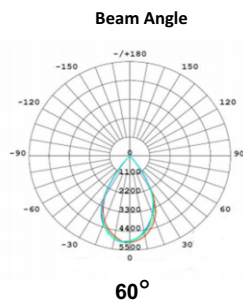


Wall Mounting

TUSA-81211-P60 Project Light Specification

Model	8NC	Power	LED Efficiency	Ra	Beam angle	CCT	Input Voltage	Power Factor	Hz	Operating Temperature
TUSA-81211-P60 (745/H2)	80031111	60W	158lm/w	>70	60°	4500-5500K	AC90-305V / DC127-430v	>0.95	47-63Hz	-40°C to -50°C
TUSA-81211-P60 (745/M2)	80031112		135lm/w							
TUSA-81211-P60 (745/H3)	80031113		135lm/w							
TUSA-81211-P60 (745/M3)	80031114		125lm/w							

PACKAGING	INNER	OUTER	N.W.	G.W.	CARTON SIZE	20' QTY (WITH PALLET)	40' QTY (WITH PALLET)
	1 PCS	1 PCS	1.7Kg	2.0Kg	200 X 200 X 200 MM	2000 PCS	4000 PCS



TITANS USA LTD

4371-112TH TERRACE NORTH-CLEARWATER, FLORIDA 33762

TELEPHONE (727) 290-9897 FAX (727) 573-2591

sales@titansusa.com

titansusa.com titans.com.cn